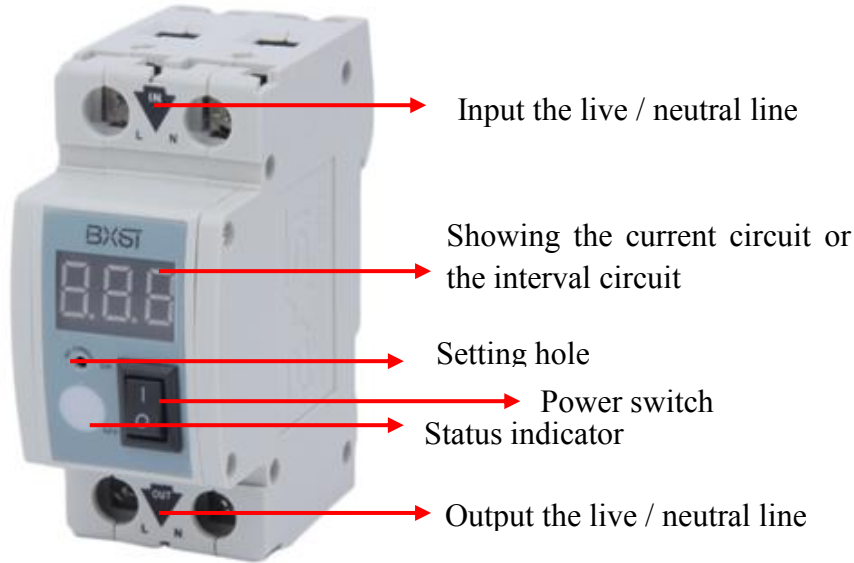


# ■BX-V130 circuit breaker



## ■Features

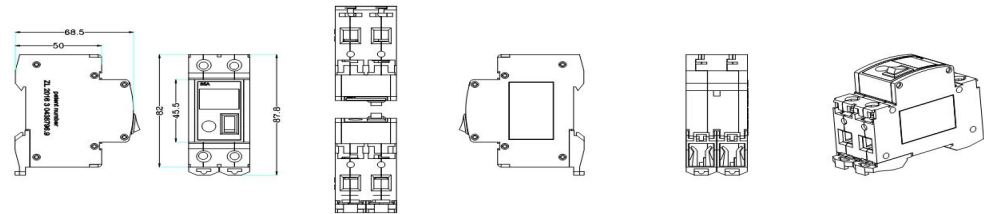
- Overcurrent protection: When the current exceeds the set value of 1A automatically, it will cut off the power, digital flashing indicator will remind users to turn off the high-power electrical appliances to prevent fires, after troubleshooting, it will resume normal work.
- Short circuit protection: Circuit breaker will come into self-protection when live wire/zero line be short circuit, the digital flashing indicator will remind users to prevent fires, after troubleshooting, it will resume their normal work.
- DIN Rail snap: quick installation / removal, buckle design makes the product firmly stuck.
- Visualized window: The digital display shows the current working status clearly and conspicuously.
- Flame retardant material: Be able to reach the experimental standards of level test of UL94-5VA.

## ■Introduction

BX-V130 is a hot-sold low power circuit breaker in Middle East. It's applied for the appliances in home, hospital, school and public which power is less than 4796W.

## ■Specification

- Working voltage: 120VAC/50HZ-60HZ
- Max current: 20.8A
- Min current: 2A
- Working current: 21.8A(4796W MAX)
- Delay time: 10seconds
- Warranty: 1year
- Temperature: -5°C~+55°C
- Weight: 153g
- Size: 35.5\*68.5\*82mm
- Material: Flame retardant PC
- Package: 55\*31\*24CM/blister/100pcs per carton



## ■Warning

- ※ The total power of connected electrical equipment shall not exceed the rated power.
- ※ Do not use this product in damp or not ventilated environment.
- ※ Non-professionals do not open, change, repair the product.
- ※ Poor connection of the front terminal or poor connection of the plug may cause a danger.